



# SLOANLED BRIGHTLINE 2

## Product description:

SloanLED BrightLINE 2 is better than ever at delivering bright, uniform illumination and fast, easy installation in shallow, single-sided, fabric-face light boxes, more efficiently with lower energy consumption allowing for more product per power supply!

NEW LP (low power) version optimised for applications at or below 1.57 in (40 mm) deep balances brightness and product spacing to achieve incredible loading of 44 (Long) sticks per 100 W power supply

## Key features:

- Ideal for single-sided, fabric-face light boxes 1.2–4.7 in (30–120 mm) deep
- Available in 6500 K and now 4000 K for greater versatility in illuminating warm to cool colors and skin tones
- A massive increase in efficacy allows at least 50% more product per power supply over the previous generation without sacrificing brightness

## Product data:

<b>Manufacturer -</b>	SloanLED
<b>Product name -</b>	SloanLED Brightline 2
<b>LEDs per strip -</b>	Long.....6 Short.....2
<b>Operating temperature -</b>	-40° C to + 60° C

### Coverage per row -

Depth	Spacing
40 mm (1.6")	100 mm (4.0")
50 mm (2.0")	120 mm (5.0")
60 mm (2.4")+	150 mm (6.0")

### Strips per meter / foot (fully spaced) -

SloanLED BrightLINE 2.....	6.7 / 2.0
SloanLED BrightLINE 2 LP.....	10.0 / 3.1

<b>Protection class -</b>	IP5X
<b>Life rating -</b>	> 54,000 hours
<b>Optional dimming -</b>	PWM (Pulse width modulation, SloanLED Universal LED Wireless Dimmer 601115)
<b>Power capacity -</b>	18.3 m (60 ft) per SloanLED 100 W 24 VDC power supply



www.applelec.co.uk  
01274 774 477  
sales@applelec.co.uk

# SLOANLED BRIGHTLINE 2



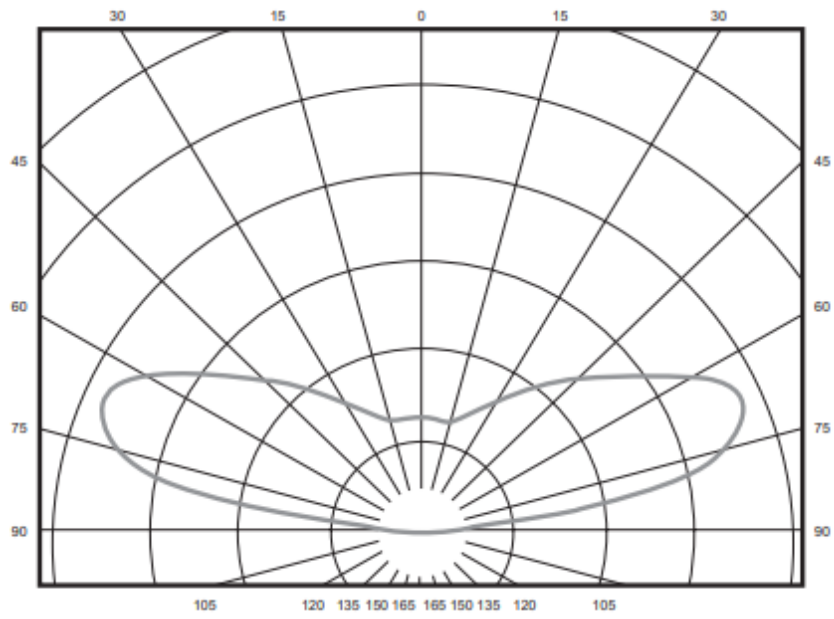
## Specifications:

Model		Part number	Color temp. (CCT)	Dimensions L x W x H	Power per strip	Efficacy	Lumens per strip	Packaging
SloanLED BrightLINE 2	Long	701989-6W24LB1	6500 K	479 mm x 18 mm x 8 mm (18.875 in x 0.709 in x 0.320 in)	3.33 W	150 lm/W	500	27-unit daisy-chain per bag, 10 bags per carton
		701989-4W24LB1	4000 K					
	Short	701989-6W24SB1	6500 K	160 mm x 18 mm x 8 mm (6.300 in x 0.709 in x 0.320 in)	1.11 W	150 lm/W	167	
		701989-4W24SB1	4000 K					
SloanLED BrightLINE 2 LP	Long	701989-6W24LB2	6500 K	479 mm x 18 mm x 8 mm (18.875 in x 0.709 in x 0.320 in)	2.05 W	163 lm/W	333	44-unit daisy-chain per bag, 6 bags per carton
		701989-4W24LB2	4000 K					
	Short	701989-6W24SB2	6500 K	160 mm x 18 mm x 8 mm (6.300 in x 0.709 in x 0.320 in)	0.68 W	163 lm/W	111	
		701989-4W24SB2	4000 K					

## Power Supply Capacity:

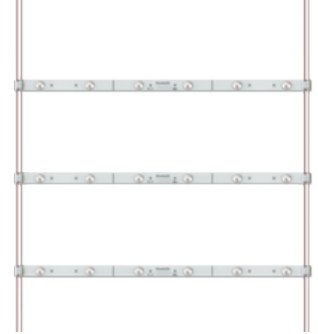
24 VDC power supply	Maximum meters (feet) / LED strips			
	SloanLED BrightLINE 2 Long 3.3 W/strip, 22 W/m (6.7 W/ft)	SloanLED BrightLINE 2 Short 1.1 W/strip, 7.4 W/m (2.2 W/ft)	SloanLED BrightLINE 2 LP Long 2.0 W/strip, 20.5 W/m (4.1 W/ft)	SloanLED BrightLINE 2 LP Short 0.7 W/strip, 6.8 W/m (1.4 W/ft)
30 W Power Supply (EU/ROW ONLY)	1.2 m (3.9 ft) / 8 strips	3.6 m (11.8 ft) / 24 strips	2.0 m (6.4 ft) / 13 strips	6.0 m (19.7 ft) / 40 strips
60 W Power Supply	2.4 m (7.9 ft) / 16 strips	7.4 m (24.1 ft) / 49 strips	3.9 m (12.8 ft) / 26 strips	11.9 m (38.9 ft) / 79 strips
96 W Power Supply	4.1 m (13.3 ft) / 27 strips	12.2 m (39.9 ft) / 81 strips	6.6 m (21.6 ft) / 44 strips	19.8 m (64.9 ft) / 132 strips
3 x 96 W Power Supply	3 x 4.1 m (13.3 ft) / 27 strips	3 x 12.2 m (39.9 ft) / 81 strips	3 x 6.6 m (21.6 ft) / 44 strips	3 x 19.8 m (64.9 ft) / 132 strips
100 W Power Supply	4.1 m (13.3 ft) / 27 strips	12.2 m (39.9 ft) / 81 strips	6.6 m (21.6 ft) / 44 strips	19.8 m (64.9 ft) / 132 strips
150 W Power Supply (EU/ROW ONLY)	6.2 m (20.2 ft) / 41 strips	18.3 m (60.0 ft) / 122 strips	9.9 m (32.5 ft) / 66 strips	29.7 m (97.4 ft) / 198 strips

## Luminous Intensity Distribution

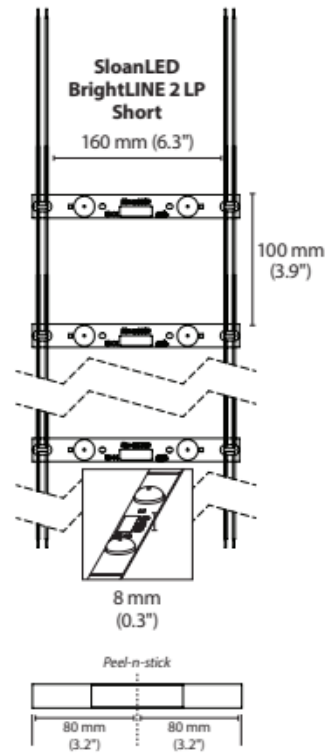
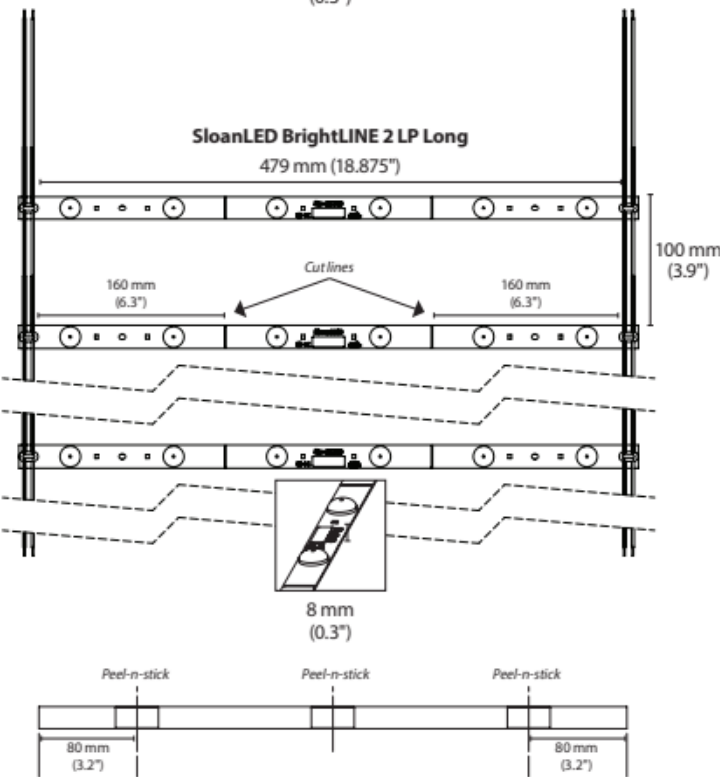
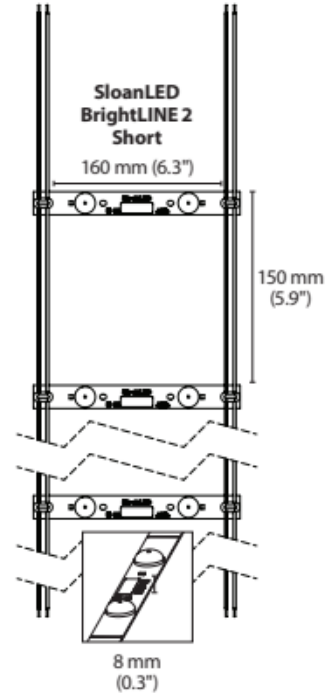
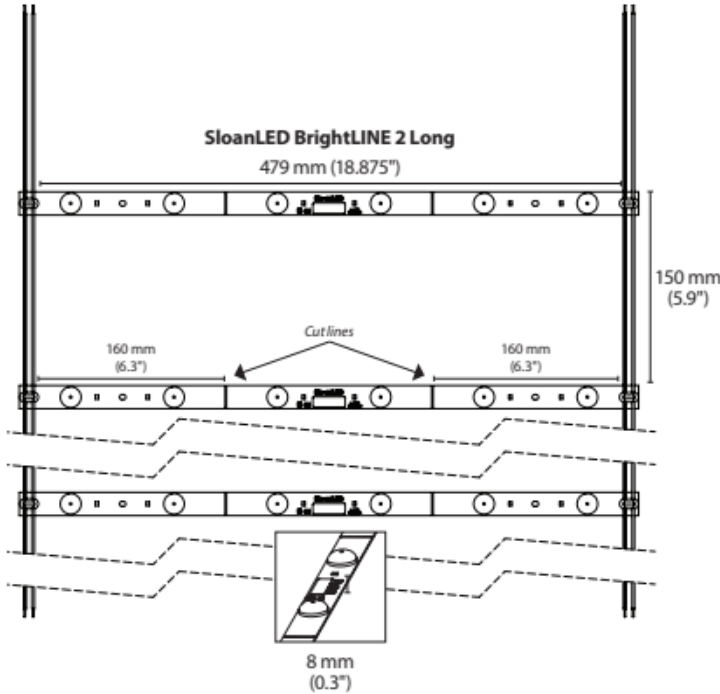


[www.applelec.co.uk](http://www.applelec.co.uk)  
 01274 774 477  
[sales@applelec.co.uk](mailto:sales@applelec.co.uk)

# SLOANLED BRIGHTLINE 2



## Dimensions:



www.applelec.co.uk  
01274 774 477  
sales@applelec.co.uk