

# LT-390 Power Extension Drive

## Manual



**Read this manual carefully before use**

## Forword

Thanks for choosing LTECH Multifunctional LED Controller. We strongly recommend you to read this manual carefully before the installation and usage. Make sure you have completely understood the instructions so as to ensure normal working of the controller, be familiar with all of the operating skills.

Before opening the package, please check if there's damage or defect during transportation, if damage occurs, please don't use it and inform your supplier immediately.

## Safety Warnings

In order to ensure a perfect quality of the product and a safe usage, please kindly follow the instructions.

Suppliers don't take charge of any problems or damages that occur due to mishandling such as an operation not permitted in this manual.



To avoid careless damages and bringing you loss, please read the following statements carefully.

- 1、 To reduce the risk of electrical shock or fire, don't expose this unit to rain or moisture.
- 2、 Please avoid install this controller in lightening, intense magnetic and high-voltage fields..
- 3、 The controller for indoor use only, use outdoor, make sure to put it in a waterproof housing for outdoor use.
- 4、 Make sure correct connection to avoid fire and damage caused by short circuit.
- 5、 Always be sure to mount this unit in an area that will allow

proper ventilation to ensure a fitting temperature..

- 6、 Please check if local voltage and power adapter meet the controller requirements, and if power positive or negative pole definition is the same as controller.
- 7、 Choose an install place where can withstand 10 times the weight of the product to ensure a solid installation
- 8、 Wipe the cover with soft cloth dipped a little neutral detergent, be sure not to use any sandpaper, polishing powder, alcohol, gasoline etc.
- 9、 Don't connect cables with power on, make sure a correct connection and no short circuit checked with instrument before power on.
- 10、 Don't alter or tear up the label on controller for future system maintenance.
- 11、 Please don't open controller cover and operate if problems occur, let alone soldering, modify soldering on the controller circuit or dismantle CMOS chips

If you need spare parts, please choose genuine version.

If you have any questions, please contact your supplier.

This manual applies to this model product only, for more information, please contact our staff.

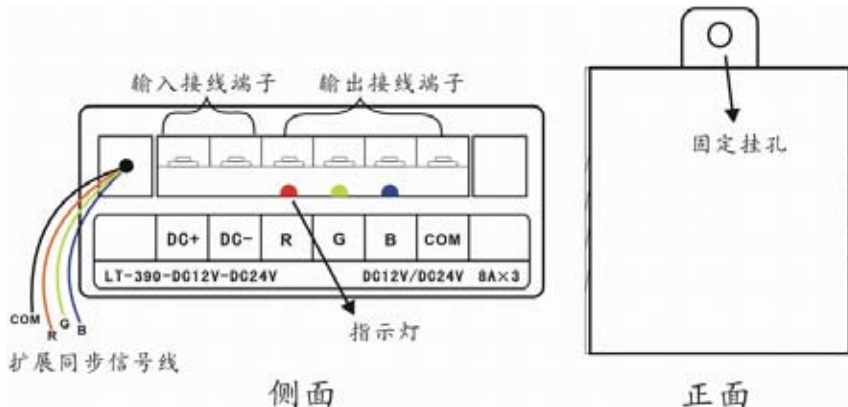
## Product Brief

LT-390 Power Extension Drive is used to have immense power expansion to control more quantity of LED lights, when LT-300、LT-310、LT-DMX512-3、LT-1810 controller's driving power isn't high enough to meet the actual demands, through LT-390, you can have unlimited power expansion to meet the actual power load demands, and then is capable to connect any quantity of LED lights.

### 一、 Specifications:

Part No: <b>LT-390-DC12V-DC24V</b>	
Input Voltage: DC12V-DC24V	Protection: Overload auto protection
Output Voltage:DC12V-DC24V	Operating Temp: -35 — 70
Current Output: 8A/chn× 3	Size: L135× W95× H40(mm)
Power Consumption: < 1W	Casing size: 155× 105× 55mm
Total Power Output: 1~600W(24V)	Net Weight: 0.4kg
1~300W(12V)	

### 二、 Configuration Diagram

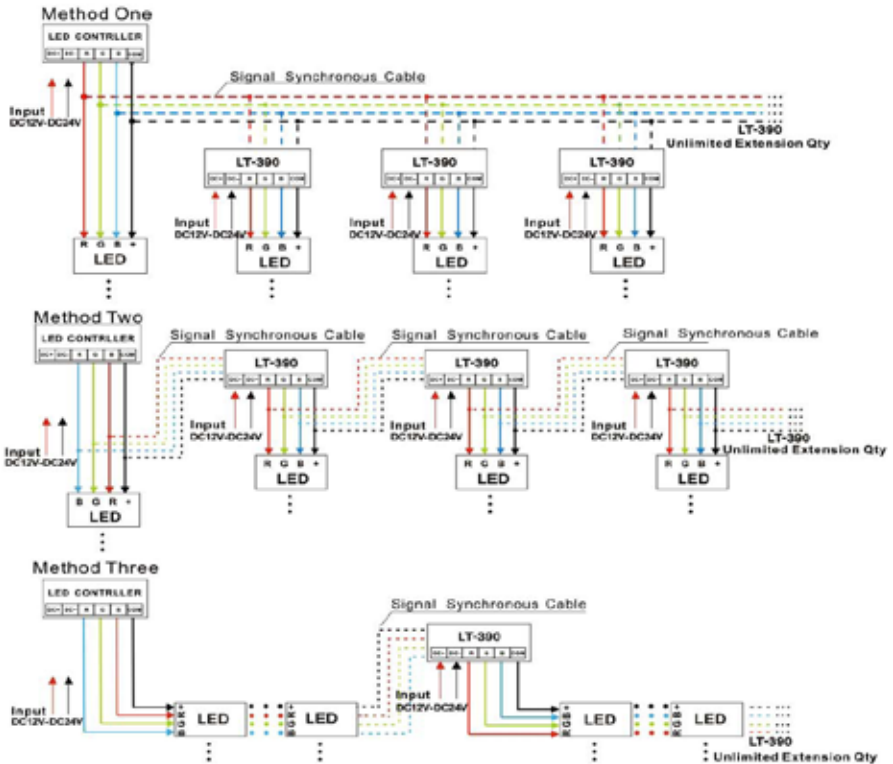


### Exception Handles :

Malfunction	Causation	Settle
-------------	-----------	--------

No light	<ol style="list-style-type: none"> <li>1. No power from plug.</li> <li>2. Overload protection is in action</li> <li>3. Incorrect connection</li> </ol>	<ol style="list-style-type: none"> <li>1. Check the socket.</li> <li>2. Decrease power load, re-power on.</li> <li>3. Check the connection</li> </ol>
Incorrect color	<ol style="list-style-type: none"> <li>2. Incorrect RGB connection</li> </ol>	<ol style="list-style-type: none"> <li>4. Check RGB connection</li> </ol>

### 三、 Conjunction Diagram :



- \* The 3 methods above are the most popular connection ways, user can choose any one or mix-using.
- \* LT-390 Power Extension Module works normally with its signal synchronous connection cable connected to any place of the output control cable.
- \* Better keep the output control cable within 20 meters to avoid voltage decline.
- \* The distance for the signal synchronous connection cable is unlimited by theory, and won't affect or weaken its synchronous performance