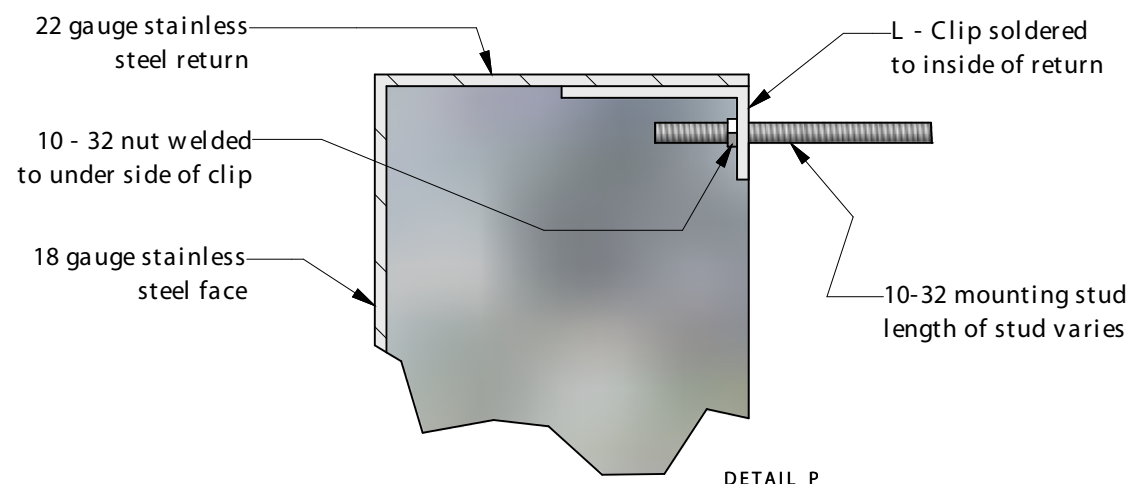
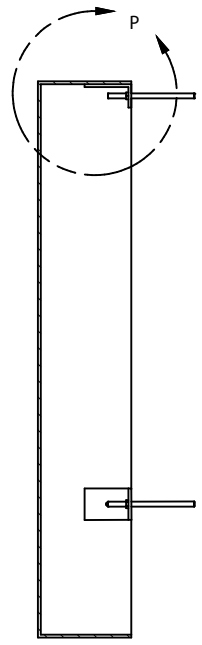
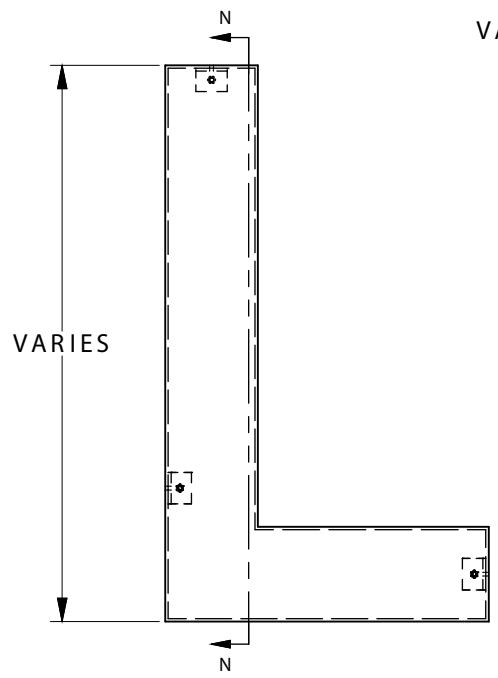
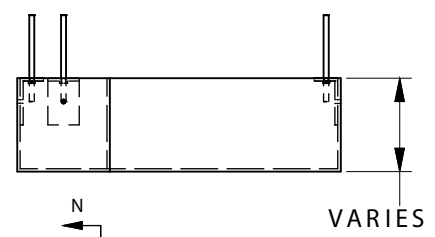


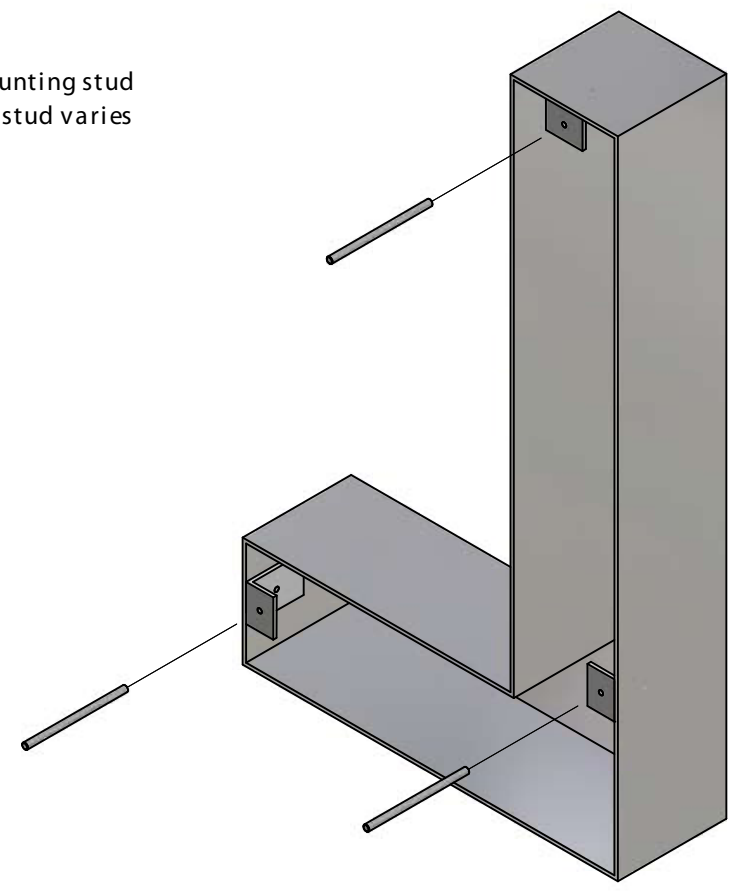
DRAWN		TITLE	
JOE		Soldered L - Clips for Stud Mount	
CHECKED		Drawing Number: M3	
QA		SIZE	REV
MFG		SCALE	SHEET 4 OF 18
APPROVED			



DETAIL P  
SCALE 2:1



SECTION N-N  
SCALE 1/2



NOTE:

1. All mounting hardware is set up for 10 - 32 unless otherwise specified.



SIGN SUPPLIER OF THE YEAR 2008