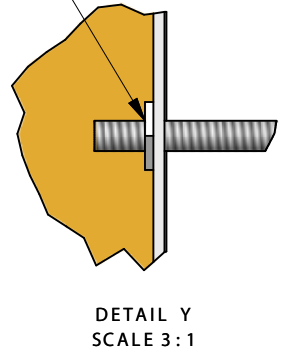
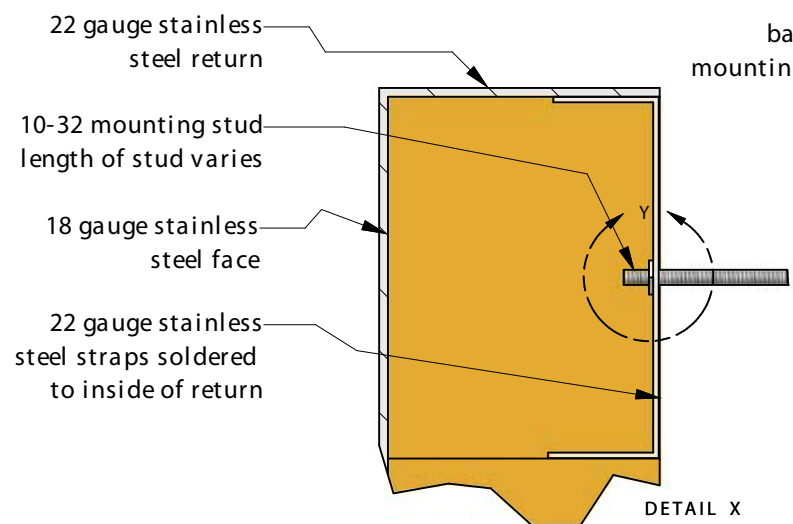
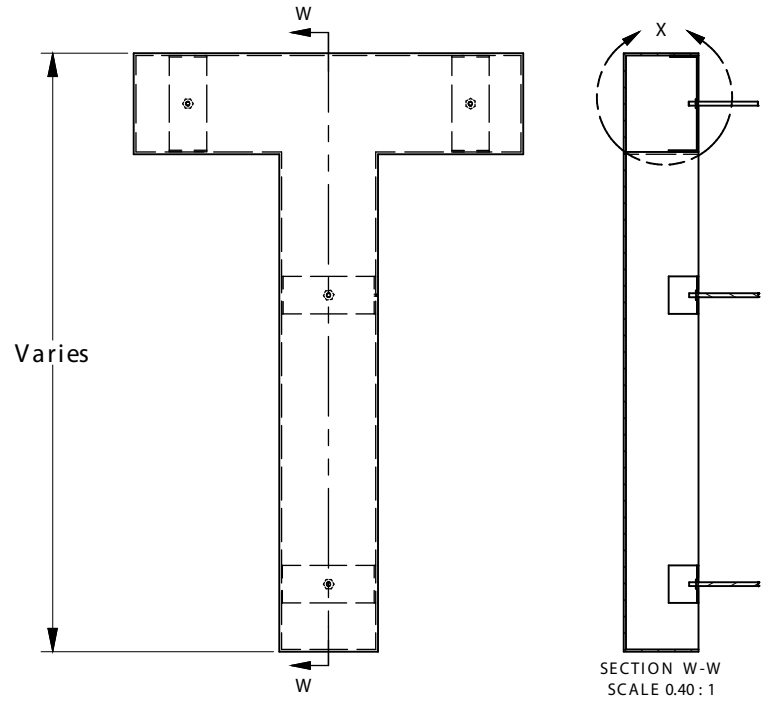
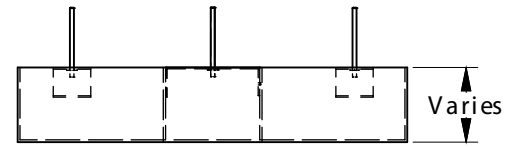
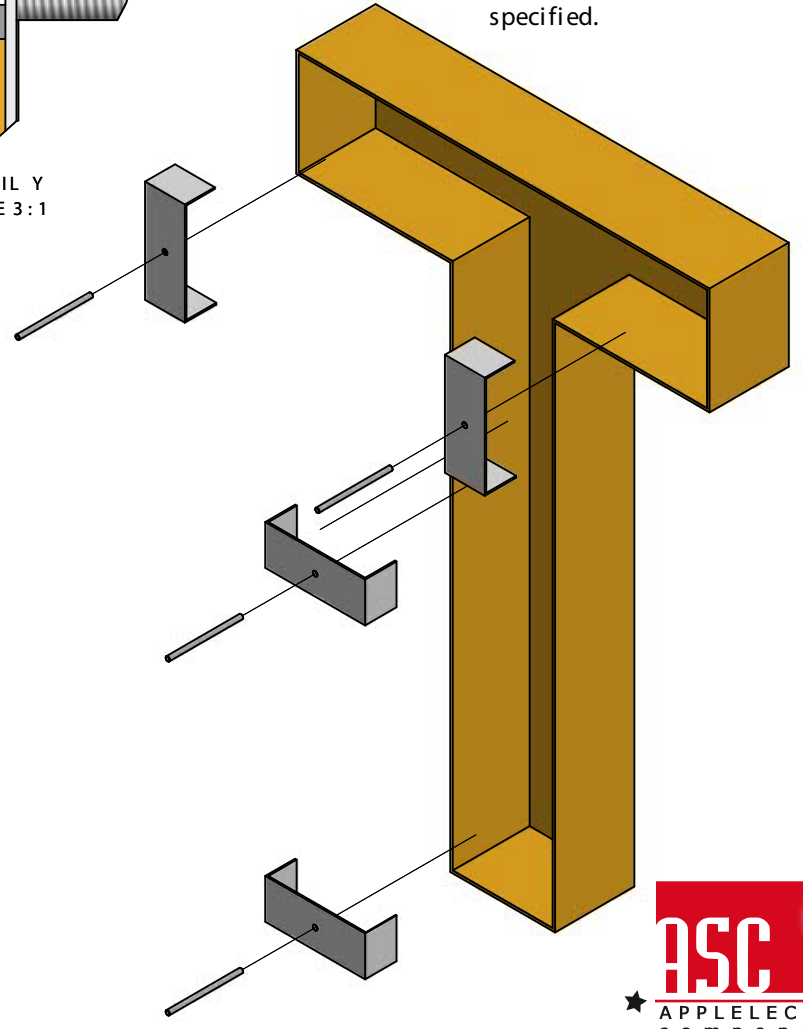


DRAWN	JOE		TITLE	
CHECKED			Strap Stud Mount	
QA			Drawing Number: M 1	REV
MFG				
APPROVED				
			SIZE	
			SCALE	SHEET 2 OF 18



NOTE:
1. All mounting hardware is set up for 10 - 32 unless otherwise specified.



sla SIGN SUPPLIER OF THE YEAR 2008