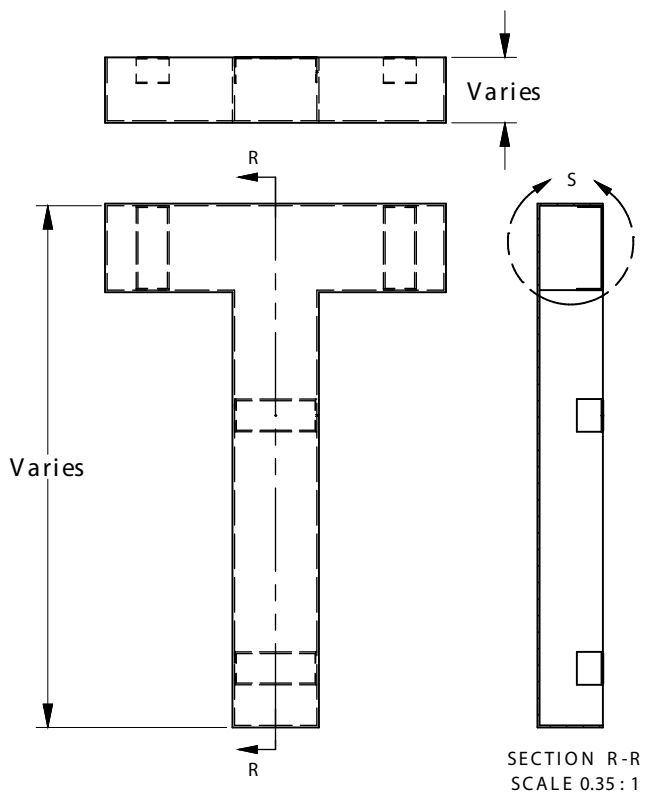
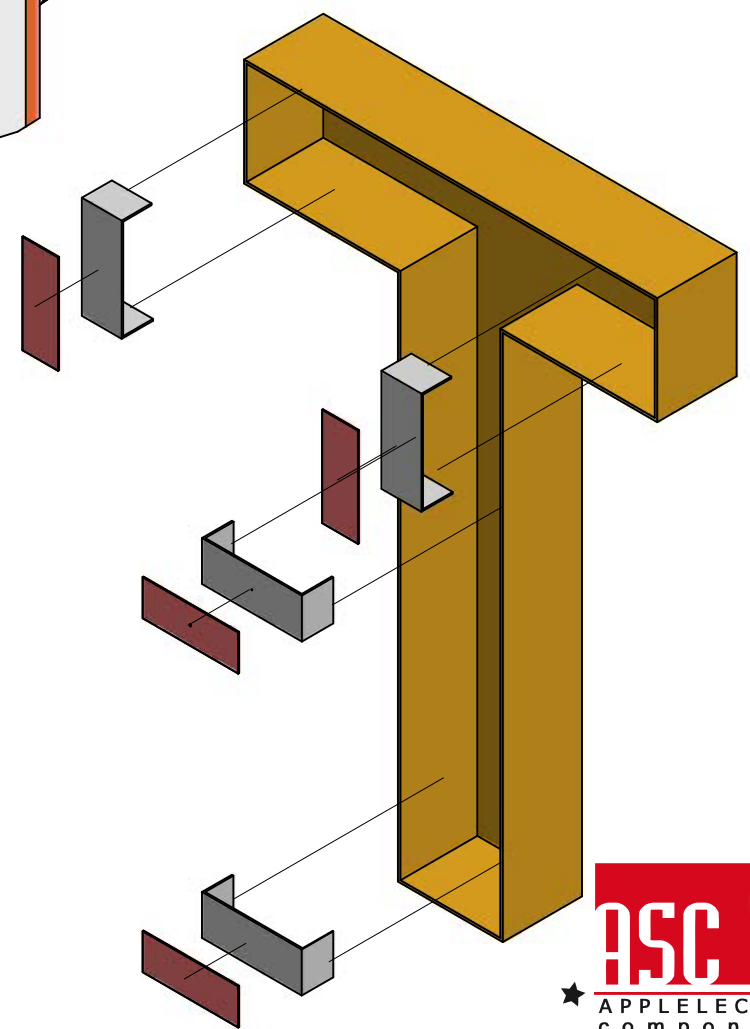
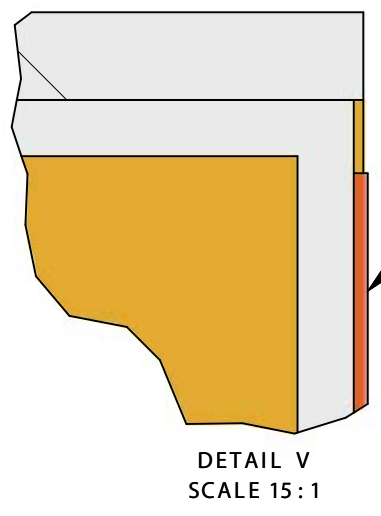
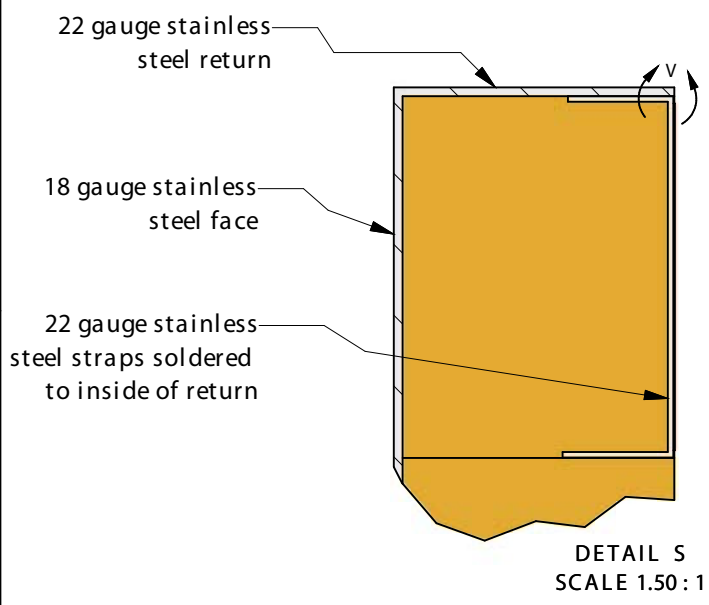


DRAWN	
JOE	
CHECKED	
QA	
MFG	
APPROVED	
SIZE	
SCALE	

TITLE	
Strap mount (double sided tape option)	
Drawing Number: M 2	REV
SHEET 3 OF 18	



sla SIGN SUPPLIER OF THE YEAR 2008