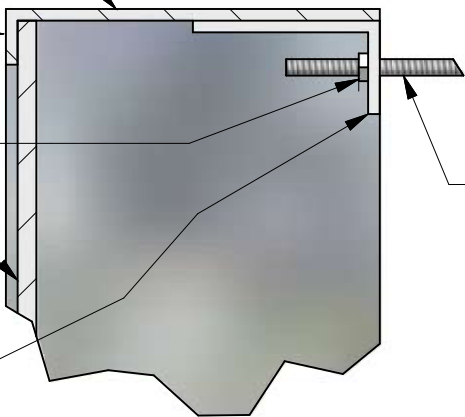


DRAWN		TITLE	
JOE		Trim Plus Face with Acrylic Insert and Soldered L - Clips	
CHECKED			
QA		Drawing Number: M11	
MFG		SIZE	REV
APPROVED		SCALE	SHEET 12 OF 18

- 22 gauge stainless steel returns
- 18 gauge stainless steel face
- 10 - 32 nut welded to under side of clip
- 1/8" acrylic insert color is custom.
- Soldered l-clips with mounting hardware. (soldered to inside of return)

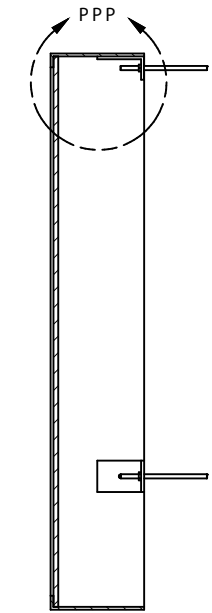
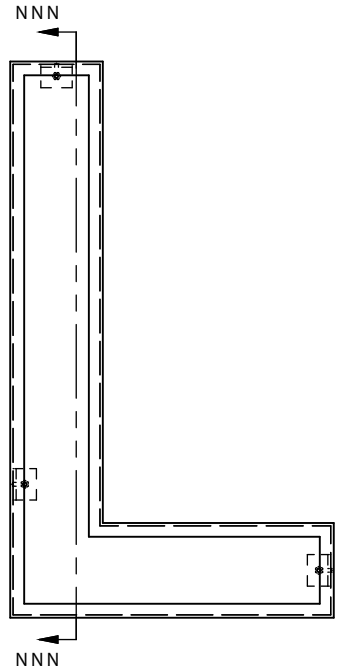
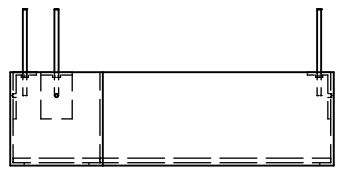


DETAIL PPP
SCALE 2:1

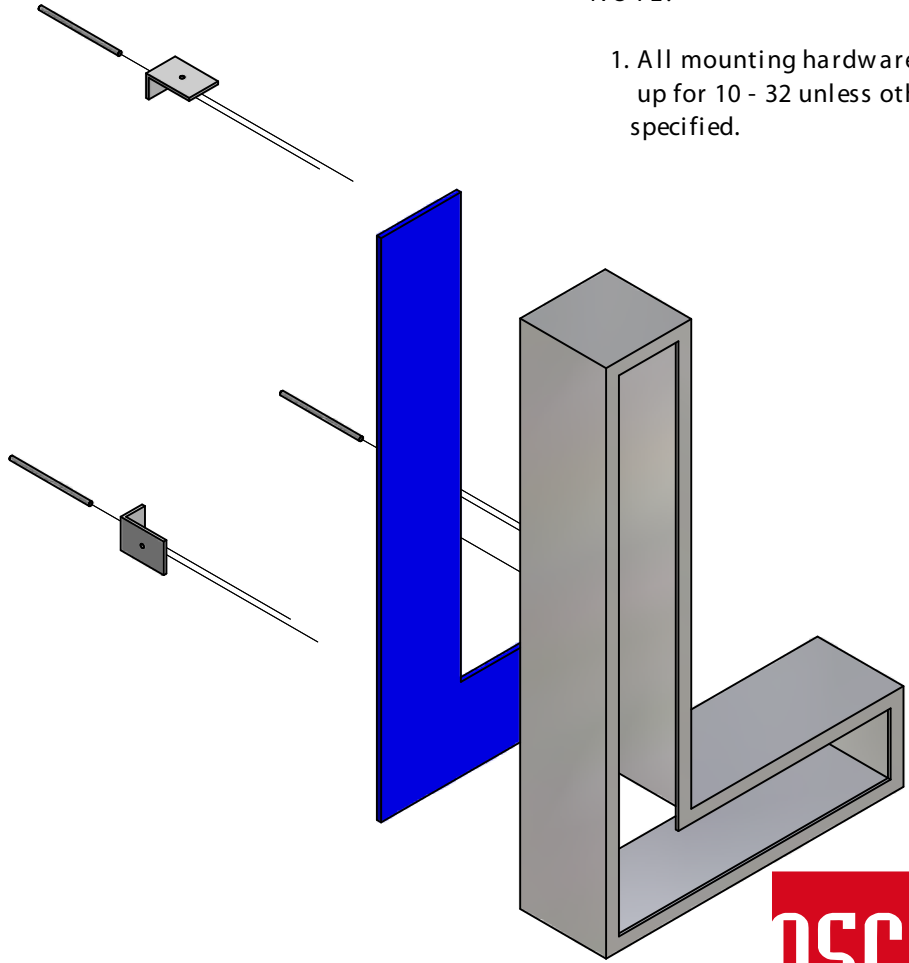
10-32 stud with 10-32 nut welded to under side of l-clip (stud length varies)

NOTE:

1. All mounting hardware is set up for 10 - 32 unless otherwise specified.



SECTION NNN-NNN
SCALE 1/2



SIGN SUPPLIER OF THE YEAR 2008