

DRAWN	
JOE	
CHECKED	
QA	
MFG	
APPROVED	
SIZE	
SCALE	

TITLE	
Trim Plus Face with Acrylic Insert and Removable L - Clips	
Drawing Number: M12	REV
SHEET 13 OF 18	

4-40 flat pan head screw to hold removable l-clip to letter
4-40 nut welded to l-clip

22 gauge stainless steel returns

1/8" acrylic insert color is custom.

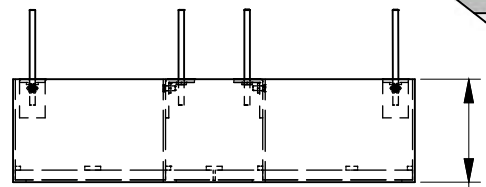
18 gauge stainless steel face

18 gauge stainless steel tabs soldered to inside return to hold acrylic insert in place.

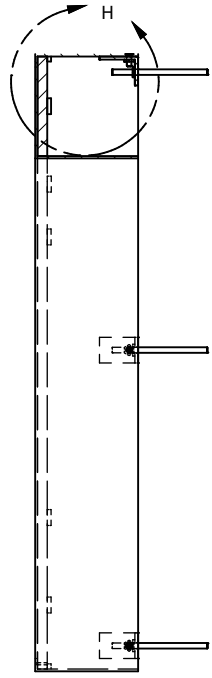
10-32 stud with 10-32 nut welded to under side of l-clip (stud length varies)

Removable l-clips with mounting hardware.

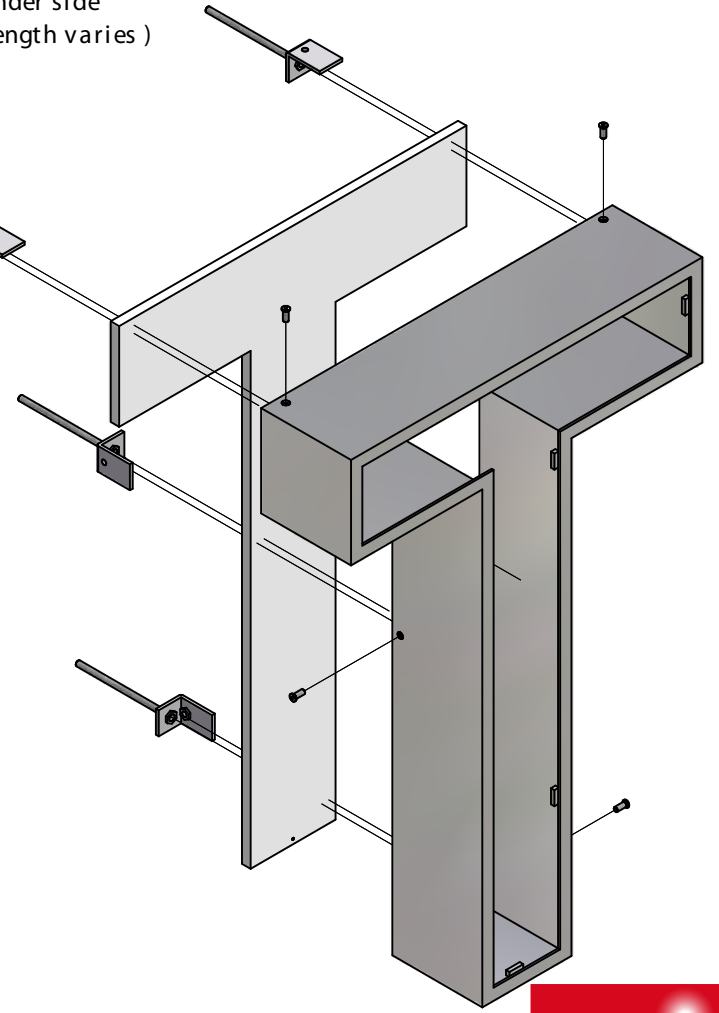
DETAIL H
SCALE 2.10 : 1



VARIES



SECTION G-G
SCALE 0.55 : 1



NOTE:

- 1. All mounting hardware is set up for 10 - 32 unless otherwise specified.



SIGN SUPPLIER OF THE YEAR 2008

