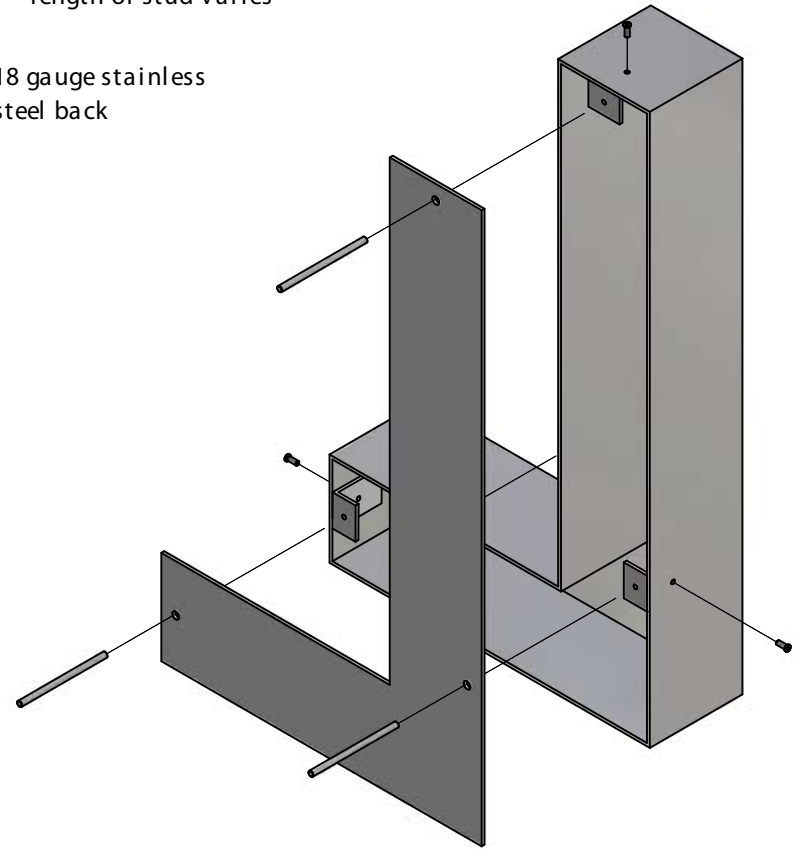
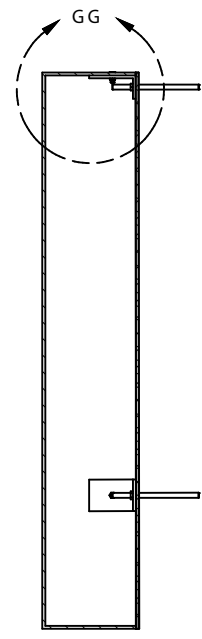
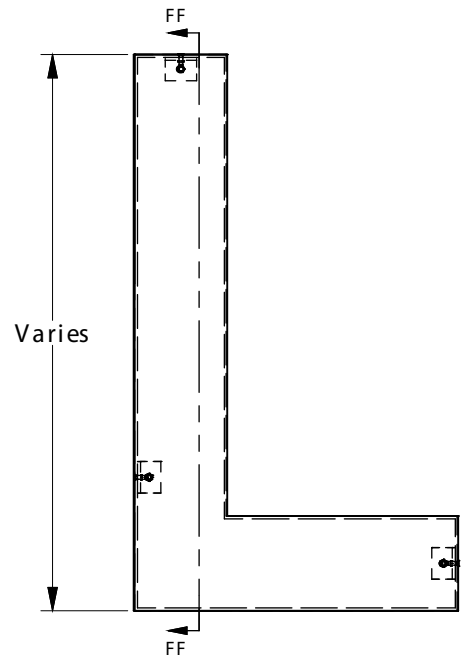
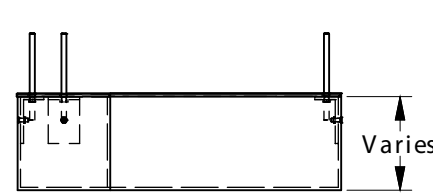
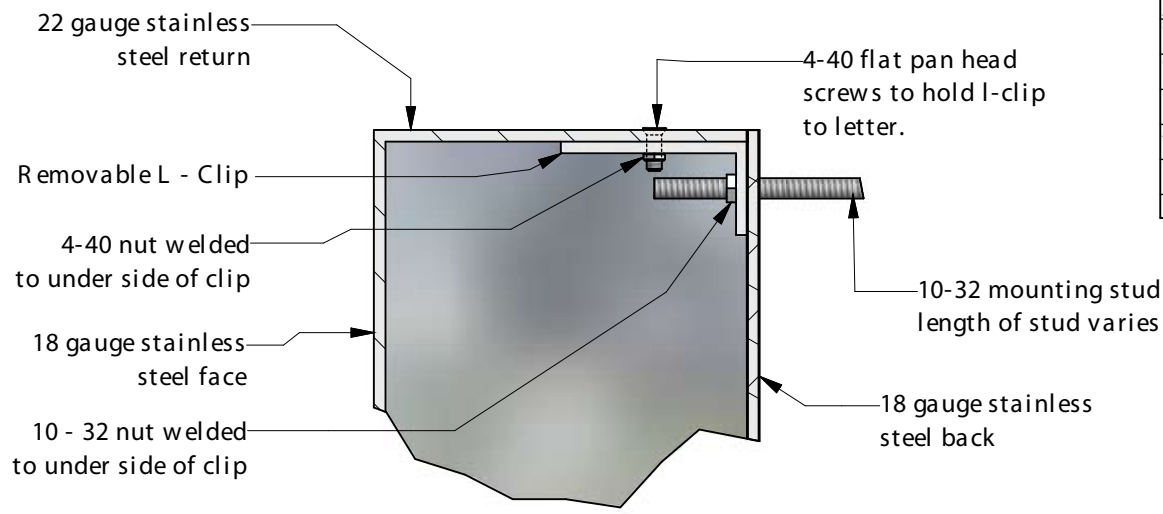


| | | | |
|----------|-----|-------------------------------------|---------------|
| DRAWN | JOE | TITLE | |
| CHECKED | | Removable L - Clips and Closed Back | |
| QA | | Drawing Number: M8 | REV |
| MFG | | | |
| APPROVED | | | |
| | | SCALE | SHEET 9 OF 18 |



NOTE:
1. All mounting hardware is set up for 10 - 32 unless otherwise specified.



sla SIGN SUPPLIER OF THE YEAR 2008
sign industry awards