

DRAWN		TITLE	
JOE		Closed Back set up for stud mount.	
CHECKED		Drawing Number: M9	
QA		REV	
MFG		SCALE	
APPROVED		SHEET 10 OF 18	

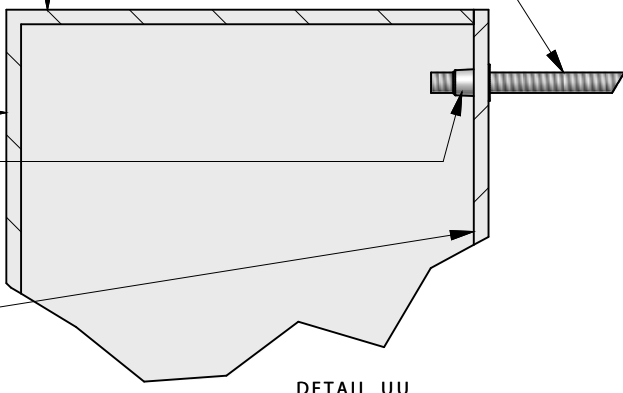
10-32 mounting stud
length of stud varies

22 gauge stainless
steel return

18 gauge stainless
steel face

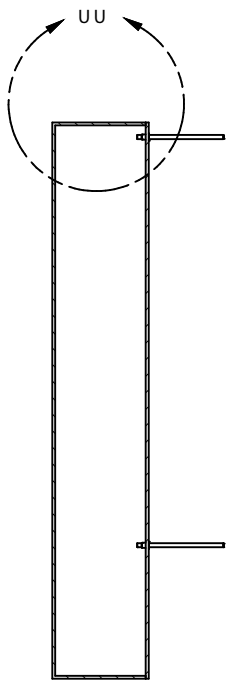
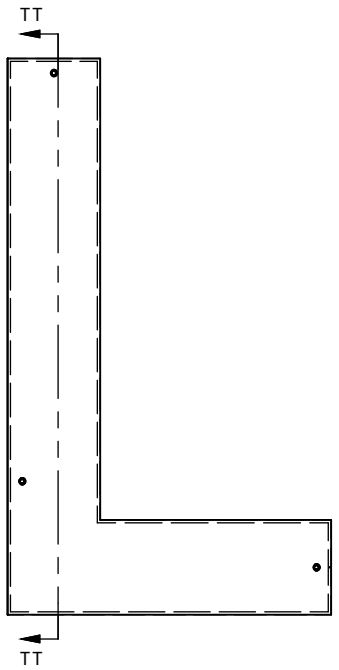
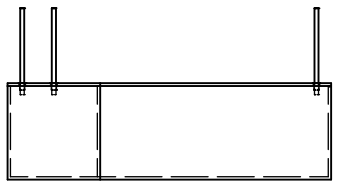
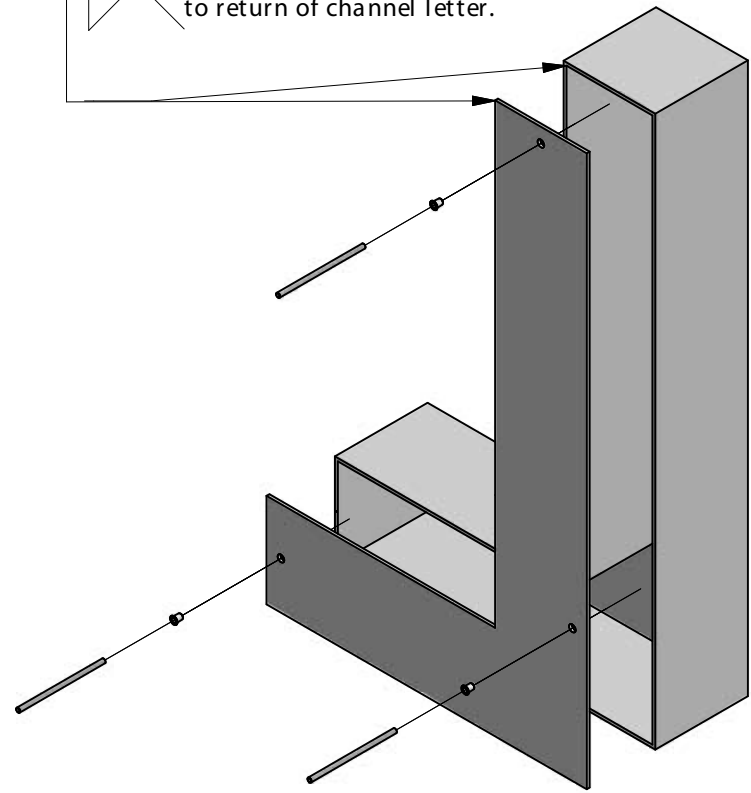
10 - 32 riv nut for
mounting (set into
back of letter)

18 gauge stainless
steel back



DETAIL UU
SCALE 2.50 : 1

Back is soldered
to return of channel letter.



SECTION TT-TT
SCALE 1/2

NOTE:

1. All mounting hardware is set up for 10 - 32 unless otherwise specified.
2. Letter is completely closed with all seams being soldered.



SIGN SUPPLIER OF THE YEAR 2008