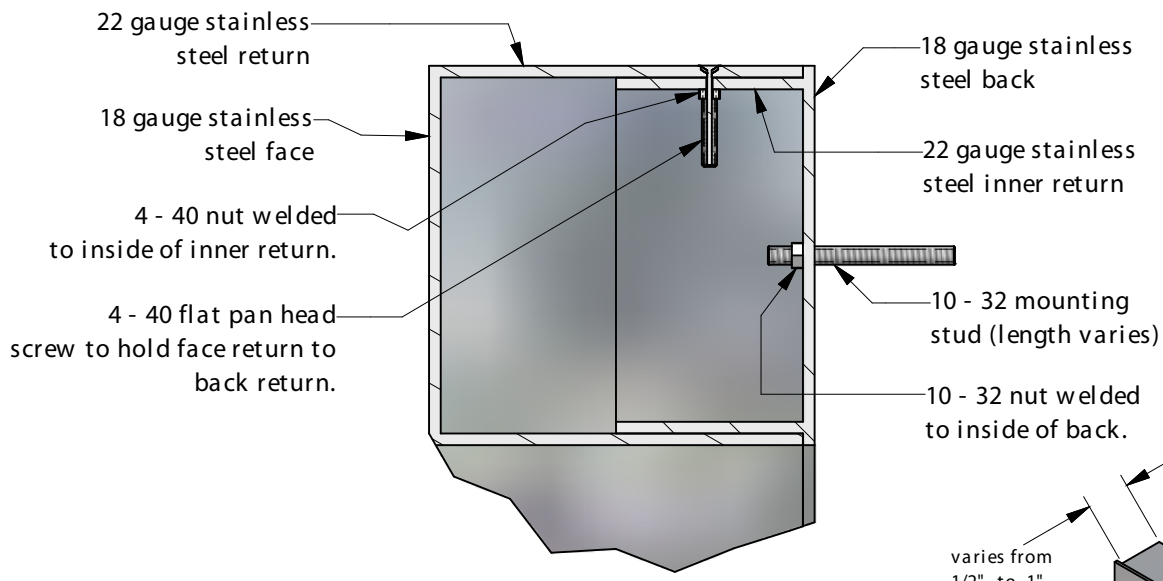
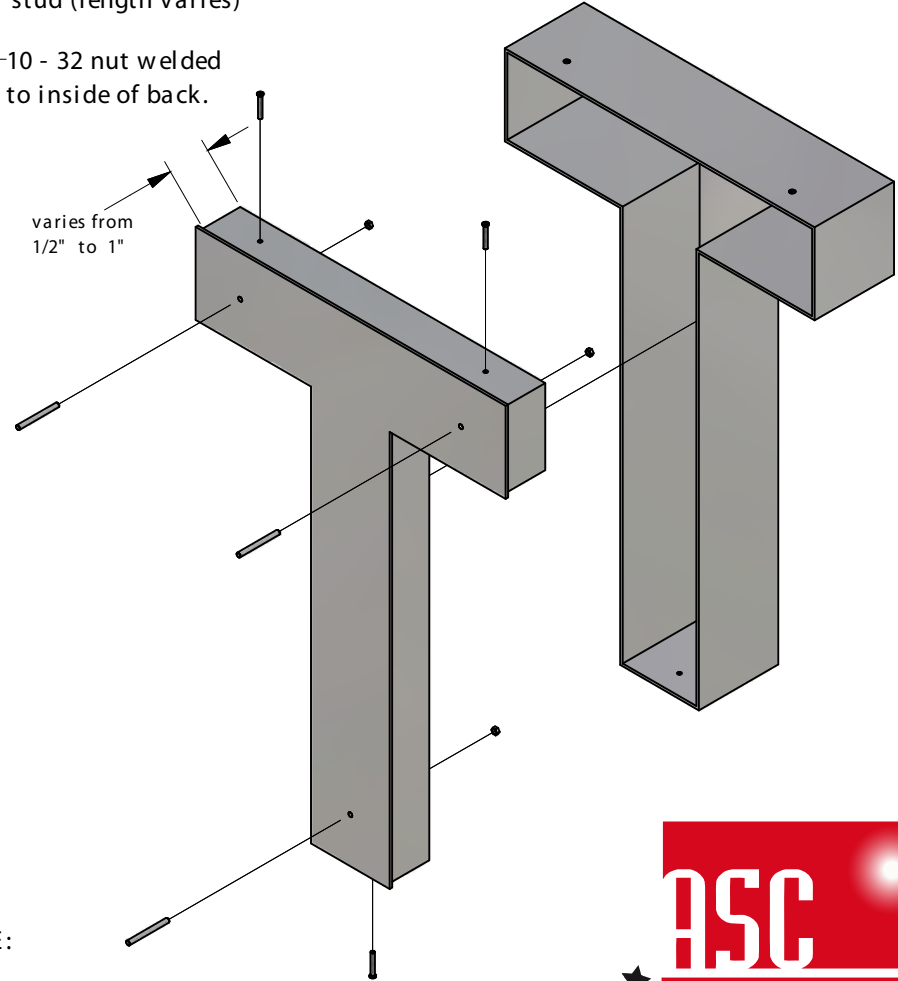
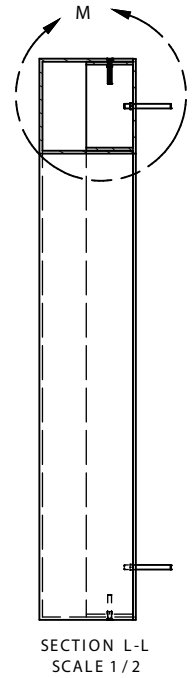
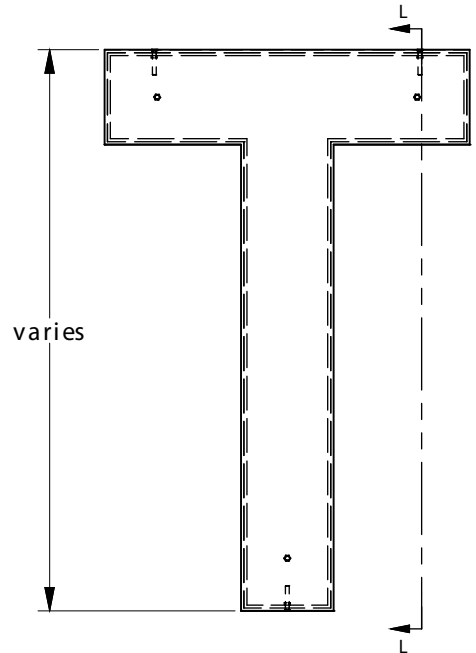
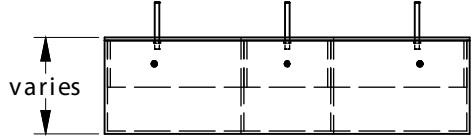


DRAWN JOE		TITLE Cookie Can Removable Back with Stud Mount	
CHECKED		MFG	
QA		Drawing Number: M 13	
APPROVED		SIZE	REV
		SCALE	SHEET 14 OF 18



DETAIL M
SCALE 2:1



NOTE:
1. All mounting hardware is set up for 10 - 32 unless otherwise specified.



sla SIGN SUPPLIER OF THE YEAR 2008