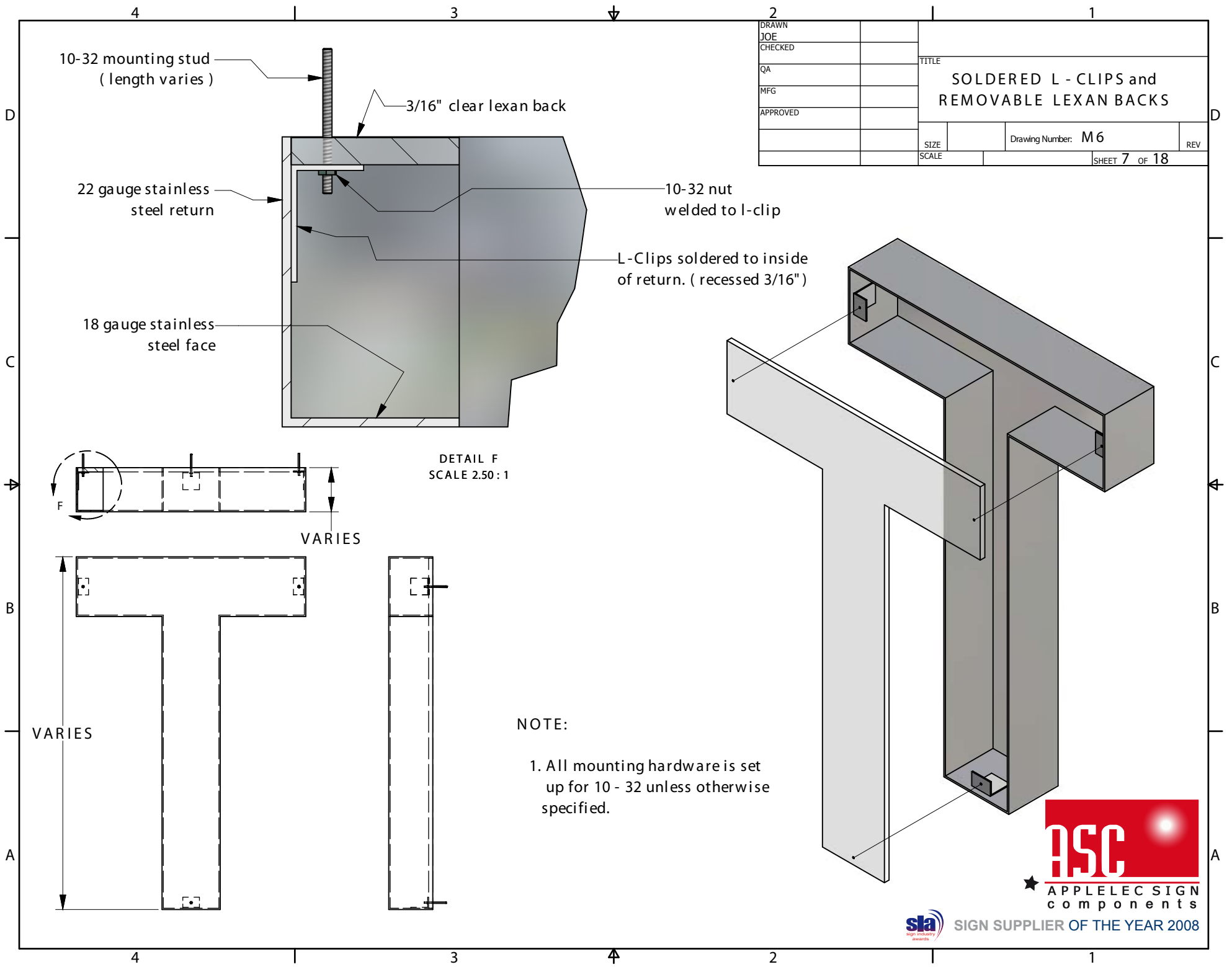


DRAWN		TITLE	
JOE		SOLDERED L - CLIPS and	
CHECKED		REMOVABLE LEXAN BACKS	
QA		Drawing Number: M6	
MFG		REV	
APPROVED		SCALE	
		SHEET 7 OF 18	



SIGN SUPPLIER OF THE YEAR 2008