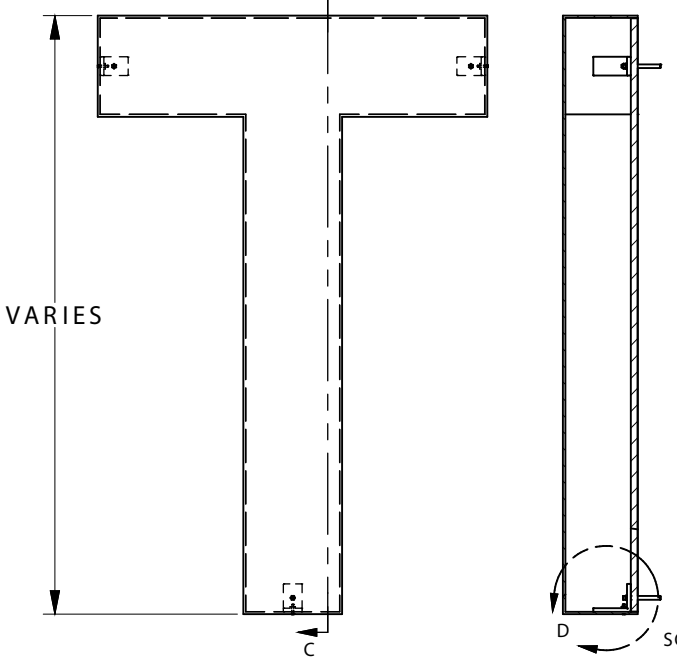
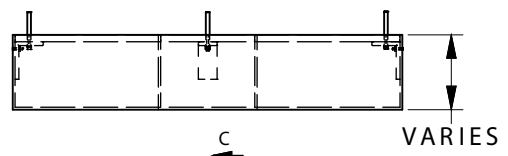
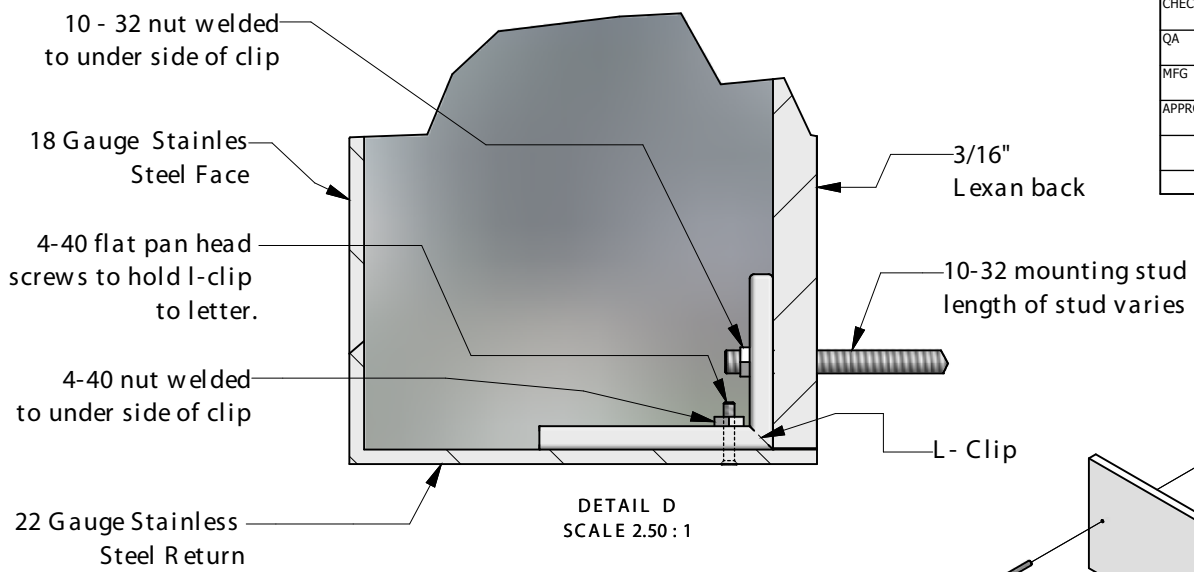
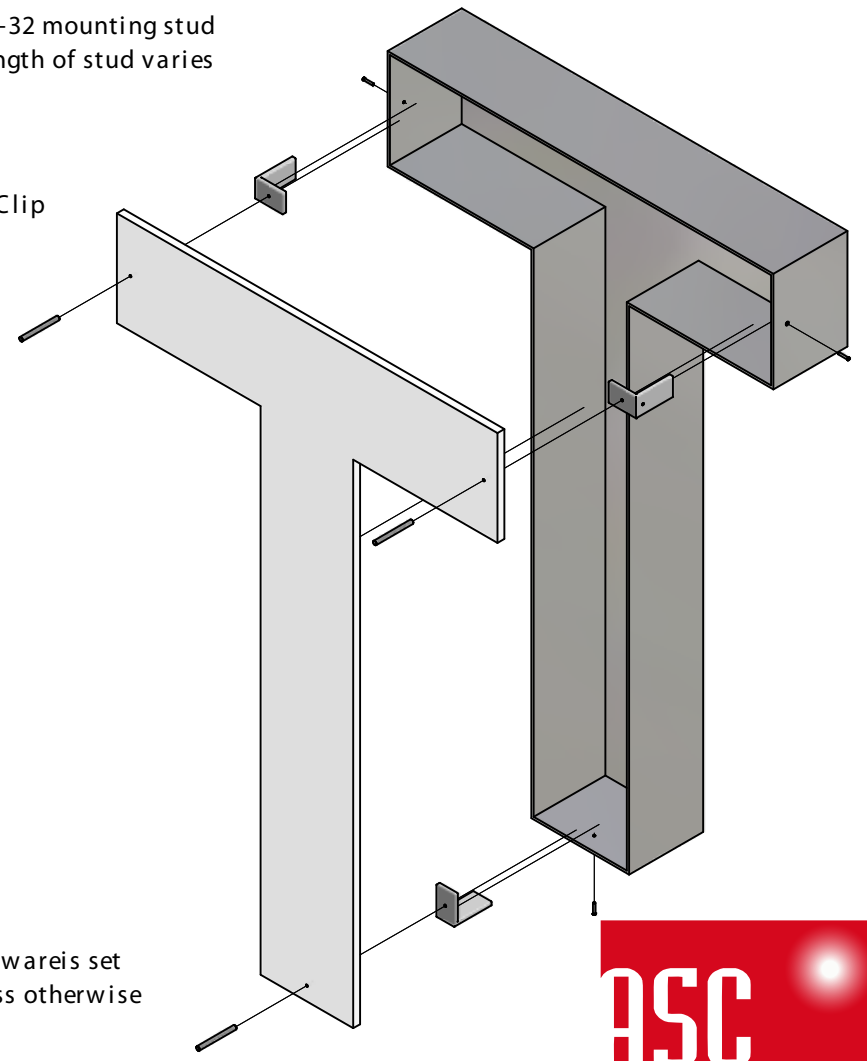


DRAWN	JOE			TITLE	Removable L - Clips with Removable Lexan Back	
CHECKED				SIZE	Drawing Number: M5	REV
QA				SCALE		
MFG				SHEET 6 OF 18		
APPROVED						



NOTE:
1. All mounting hardware is set up for 10 - 32 unless otherwise specified.



sla SIGN SUPPLIER OF THE YEAR 2008